

TECHNICAL ENGINEERING SPECIFICATION

Introduction

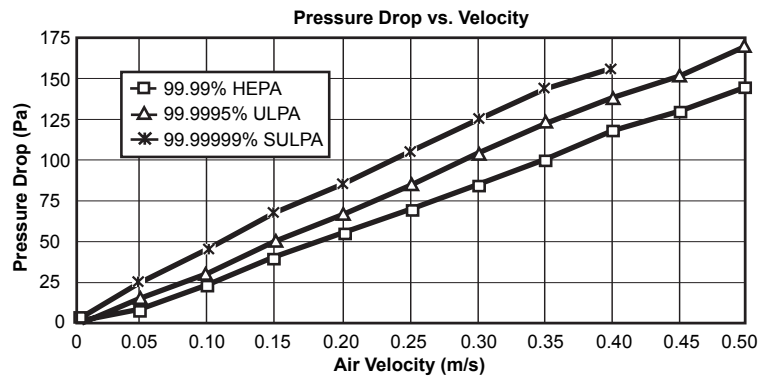
The Ducted Ceiling Module (DCM) from Envirco is a terminal filter for use in standard T-bar drop ceiling systems, used in cleanrooms with a centralised Air Handling Unit (AHU). It is lightweight and easy to install. Designed as a fully disposable unit, the DCM is inexpensive and easily replaceable.



DCM (Standard)

Construction

The media pack is a separator free media and is available in 50.8mm and 101.6mm depths. The media pack is sealed to the anodised, extruded aluminium filter frame with a fire retardant, solid urethane sealant. The filter frame has a flat flange for installation in a dry gasket ceiling grid or an optional knife edge for installation in a gel-seal ceiling grid. A one-piece aluminium top with integral inlet collar is provided and the inlet collar is dimpled to secure the flex duct retaining strap. The standard unit has an adjustable distribution plate for minor adjustments of room side airflow. An anodised extruded aluminium centre divider with access port provides access for adjustment of the distribution plate and measurement of the resistance and challenge aerosol. A painted, expanded metal faceguard on the downstream side protects the media.



Standard Features

- » Anodised extruded aluminium frame with one piece aluminium top/inlet collar
- » Dimple Pleat® filter pack for a lightweight, low profile design
- » Available Sizes: 595 mm x 1,195 mm, 600 mm x 1,210 mm and 600 mm x 600 mm
- » Room side challenge port and adjustable damper
- » White painted expanded metal face guard on downstream side to protect the media
- » HEPA (H13) 99.99% at 0.30 micron filtration

Options

- » 19.05 mm Knife Edge
- » ULPA (U15) 99.9995% at 0.12 micron Filtration
- » Stainless Steel Screen
- » PVC Screen
- » Paint: White

Filter Specification

- » Height and width tolerance: ± 1.59 mm
- » Depth tolerance: ± 1.59 mm
- » All filters are scan tested at a flow of 0.45m/s $\pm 10\%$ for leaks
- » All 0.12 particle size filters are auto-scanned for leaks
- » Maximum temperature exposure: 121°C
- » Maximum RH: 100%

Applications

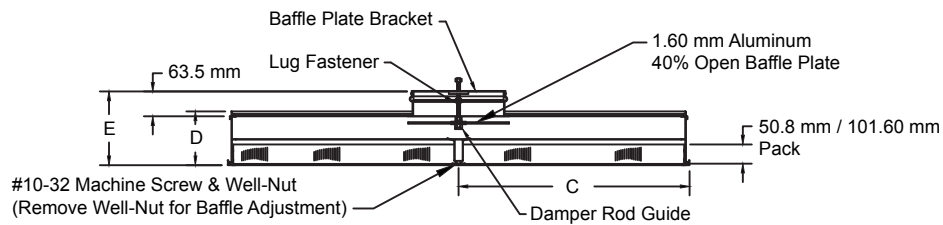
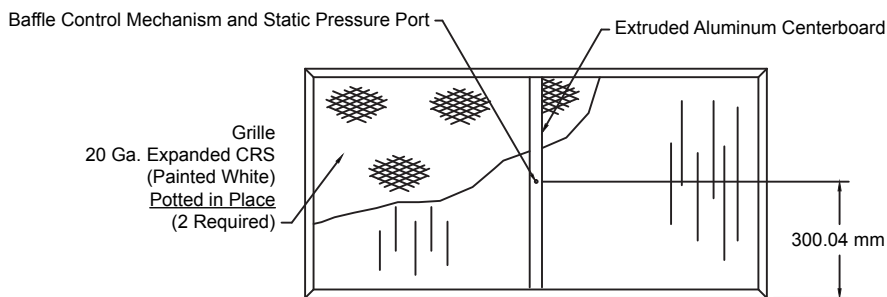
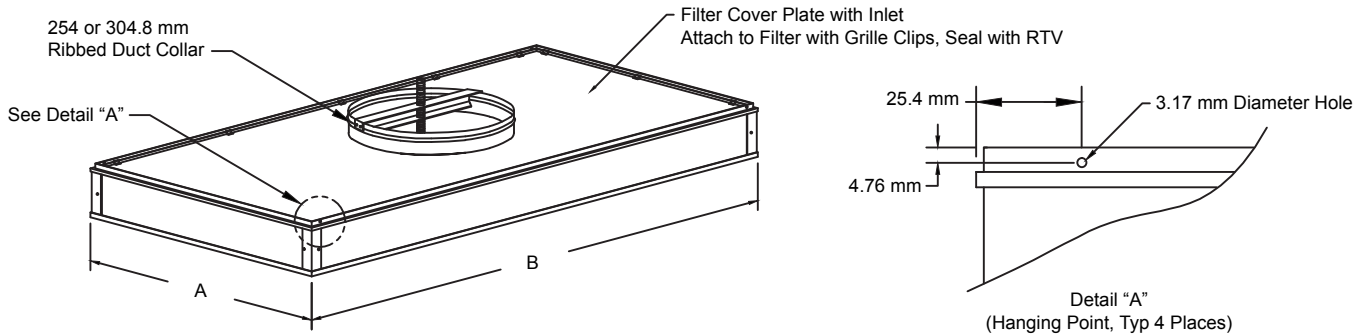
- » Semiconductor fabrication
- » Disk Drive Manufacturing
- » Biotechnology
- » Aerospace
- » Pharmaceutical Production
- » Food processing
- » Nano Technology
- » Solar panel plants
- » Lithium battery plants

Warranty

- » Limited 1-year warranty

TECHNICAL ENGINEERING SPECIFICATION

■ Dimensional Information



	A mm	B mm	C mm	D mm	E mm	Rated m ³ /h	Rated Resistance Pa	Unit Weight Kg
50.8 mm Pleat Dimensions	600	1210	605	140	191	1155	142	18.1
	600	600	302.5	140	191	535	142	11.3
101.60 mm Pleat Dimensions	600	1210	605	183	240	1155	100	19.05
	600	600	302.5	183	240	535	100	11.8

European Sales | The Cavendish Centre | Winnall Close | Winchester, Hampshire S023 0LB | UK
Tel: +44(0)1962.840465 | Fax: +44(0)1962.828619 | www.envirco-emea.com | email: info@envirco.com

©2012 Envirco®. Envirco® is a registered trademark of Air System Components, Inc. All product specifications reflect available information at the printing of this brochure. Envirco® reserves the right to revise or modify products and/or specifications without notice.